

Internationale Armbrustschützen Union

# Rules

**GENERAL SHOOTING RULES**

**MATCH 10 M & 30 M**

**FINALE**

**WORLD CUP – WORLD CUP FINAL**

**APPENDIX**

Edition 2021

Paper size A5



## TABLE OF CONTENTS

<u>Title</u>	<u>Rule</u>
<b>GENERAL RULES</b>	
General	101
Events	102
Official ceremonies	103
Rights of participation	104
Invitation, programme, registration	105
Entry fee	106
--- Empty ---	107
Scores, ranking lists	108
Records	109
Doping	110
Coaching Team manager	111
Violations of the rules	112
Objection, appeal	113
<b>MATCH 10 METER &amp; 30 METER</b>	
General	201
Shooting programme	202
Targets	203
Crossbow, accessories	204
Bolt	205
Shooting positions	206
Shooting range	207
Competition	208
Director of shooting, scorers	209
Sighting shots	210
Scoring shots	211
Evaluation of shots	212
Material defects	213
Crossbow and equipment control	214
Competitions category, title, awards	215
Ties	216
Safety regulations	217



## TABLE OF CONTENTS

<u>Title</u>	<u>Rule</u>
<b>FINAL</b>	218
General	218.1
Final participants	218.1.4
Start time	218.1.6
Targets	218.2
Results	218.3.2
Conduct of the final	218.5
Elimination process	218.10
Defects	218.11
World Cups –World Cup Final	219
<b>APPENDIX</b>	
General	501
Pictures	502
Forms	503
Competitions	504

**ABBREVIATIONS:****Statutes:**

<b>AC</b>	<b>Continental Association</b>
<b>GA</b>	<b>General Assembly</b>
<b>CAS</b>	<b>Court of Arbitration for Sport</b>
<b>CC</b>	<b>Continental Committees</b>
<b>DC</b>	<b>Disciplinary Commission</b>
<b>EC</b>	<b>Executive Committee</b>
<b>EGA</b>	<b>Extraordinary General Assembly</b>
<b>IAU</b>	<b>Internationale Armbrustschützen Union</b>
<b>TC</b>	<b>Technical Committee</b>
<b>WADA</b>	<b>World Anti-Doping Agency</b>

**Match rules:**

<b>CCE</b>	<b>Continental Cup Event</b>
<b>CCFEF</b>	<b>Continental Cup Event Final</b>
<b>CCH</b>	<b>Continental Championship (Africa, America, Asia, Europe ECH, Oceania)</b>
<b>ECH</b>	<b>European Championship</b>
<b>ICC</b>	<b>International Crossbow Competition</b>
<b>WC</b>	<b>World Cup</b>
<b>WCF</b>	<b>World Cup Final</b>
<b>WCH</b>	<b>World Championship</b>
<b>WRL</b>	<b>World Ranking List</b>

**Categories:**

<b>OCL</b>	<b>Open Class</b>
<b>M</b>	<b>Men</b>
<b>W</b>	<b>Women</b>
<b>U23</b>	<b>Under 23</b>
<b>U23m</b>	<b>Under 23 men</b>
<b>U23w</b>	<b>Under 23 w</b>
<b>S</b>	<b>Senior</b>
<b>MT</b>	<b>Mixed Team</b>
<b>MT23</b>	<b>Mixed Team Under 23</b>



## GENERAL COMPETITION RULES

### 101 General

101.1 These rules summarize any binding IAU competition rules.

Rules 101-199 apply to all sections, as far as these do not provide for any special rules.

101.2 Each and every athlete and official are subject to the constitution, rules and, at competitions, to the terms of the invitation that he acknowledges with his participation in the competition. He is therefore expected to know and comply with these rules, regulations and terms.

101.3 Where the wording of the rules and regulations does not allow an unambiguous interpretation, the interpretation shall always be made in the spirit of fair play, which requires equal rights for all participants.

101.4 In case of different interpretations, the German version is authoritative.

101.5 Only those competitors and officials may participate in IAU events that have sufficient accident and personal liability insurance through their national association.



## 102 COMPETITIONS

- 102.1 All international contests are to be presented to the IAU for approval
- 102.2 World championships (WCH) and continental championships (CCH) are to take place in accordance with IAU regulations. Enrolment via the IAU-AG.
- World championships (WCH) will take place every 2 years  
Continental championships (CCH) will take place every 2 years
- Organization of World cups (WC), World-cup Final (WCF), continental cup events (CC), continent cup final (CCF), international competitions (ICC) and international championships (WCH, CCH) are carried out in accordance with IAU regulations. The registration shall be submitted to the IAU-TC by the end of the previous year.
- 102.3 International Country competitions (ICC) may only be named as such with the authorization of the IAU-TC. The organizer is free to invite national associations at will.
- 102.4 All international competitions are to be organized in according the IAU regulations.
- The IAU-TC is to be inform about the implementation.
- 102.5 All contests (Match/Field) should be carried out mutually, location and organisation permitting.
- 102.6 Commercial advertising is possible at any competitions authorized by the IAU. The IAU-EC is to be notified in advance.

**103 Official ceremonies**

- 103.1 If possible, at WCH, CCH, WC and CC, local, regional and state authorities shall hold a reception.
- 103.2 Before the beginning of the competitions, the IAU flag shall be presented to the organizer and shall be solemnly raised.
- 103.3 The awards ceremonies shall be held in consultation with the IAU President or his delegate and shall take place in a festive setting on the day of the competition if possible. It can be dispensed with playing national anthems and raising national flags except at WCH, CCH and WC and WCF.
- 103.4 Challenge trophies or special prizes, if any, shall be distributed after the main awards.
- 103.5 After the last awards ceremony, the IAU flag shall be lowered and presented to the IAU President or his delegate.
- 103.6.1 Individual awards (Rank 1.-3.) for WCH and CCH events are available by the IAU. 50 % of the cost is payed by the IAU. The other 50 % is payed by the current organizer.

The medals will also be awarded for the WC and WCF competitions in two sets: men and women. Medals are paid 100% by IAU.

- 103.6.2 Team awards and memorial medals shall be provided by the organizer
- the design of own medals must be submitted to the IAU-EC for approval in good time.
- 103.7 The participants, official representatives of the associations and the IAU bodies present shall receive a memorial medal. The event must be clearly apparent on this medal.



**104 Rights of participation**

104.1 Only teams and athletes belonging to a national association, which is a member of the IAU, and who have been registered by this association may participate in WCH, CCH, WC, WCF, CC and ICC. In addition, the association must have fulfilled its financial obligations towards the IAU.

104.1.2 For each participation an IAU-ID number is required.

104.2 The athletes must have the same nationality as the association that has registered them.

104.3 All associations and guests invited by the IAU-TC must be able to participate in WCH, CCH, WC, WCF, CC and ICC.

104.4 Guest athletes are admitted by the IAU-TC. They are neither entitled to medals or records. Guest competitors pay the full entry fee, receive a memorial medal and are listed in a separate ranking list.

Medals for guest competitors are provided by the inviting body.

The IAU-TC decides on the target allocation for guest competitors.

104.5 Each athlete must have an IAU ID number. This ID number is to buy (from federations) by the IAU office in time before the competition.



**105      Invitation, programme, registration**

105.1      Not later than six months before the beginning of the competition, the organizer needs to submit the invitation for WCH, CCH, WC, CC and ICC to all of the IAU associations by abiding by these rules and stating the following details:

- Name of the Competition
- Place and date of the competition
- Organizer and address of the organizing committee
- Deadline for Registration
- Preliminary programme of the Competition
- Eligibilities (number of teams and individuals per association)
- Special information
- Time schedules are attached in the appendix

105.2      Not later than 3 months before the beginning of the competition, the participating associations need to register with the organizer in writing.

105.3      Not later than 2 months before the beginning of the competition, the participating associations are to receive the final programme of the competition stating the following details:

- Detailed programme of the competition,
- Time schedule of the competition,
- Deadline for the registration by name for teams and individuals
- Entry fees,
- Awards, titles,
- Special information.

105.4      Not later than the evening before the competition, the name lists of the teams and individuals must be submitted to the organizer in



writing in the order in which they will start.

The organizer is obliged to publish the starting lists before the competition in an appropriate manner.

- 105.5 The documents according to 105.1 - 105.4 and any further communication to the participating associations shall also sent to the IAU-EC and the IAU-TC.



**106 Entry fee**

106.1 All entry fees may be paid in Euros or the equivalent in another currency

106.2 The entry fee per athlete and competition is 120,00 € for WCH and CCH. .

For other international events, an entry fee of up to 70,00€ can be raised per athlete and competition

The entry fee for Mixed Team on WCH and CCH is 120,00€ per Team.

Entry fee for WC and WCF is on Chapter 219.

106.3 The entry fees include the competitions for teams and individuals, the finals and the doping control.

106.4 On the IAU controlled competitions will be paid entry fee for the officials (team leaders, coaches, accompanying persons). Entry fee is 50 EUR per person. This amount goes to the organizer of the competition.

106.5 The last day of registration for the IAU controlled competition is two weeks before the first day of the competition. Late payment will be charged with 50 EUR per person.

106.6 Payment for Entry fee should be made at the IAU account no later than 7 days before the start of the competition.



107

Empty



**108 Scores, ranking lists**

- 108.1 At any IAU competitions, the scores must continuously be displayed during the competition on scoreboards that have a good visibility for the spectators.
- 108.2 Not later than thirty (30) minutes after the end of the competition, the ranking list must be presented to the Jury for examination. Upon its approval and signing by the Jury, the ranking list is displayed on the official notice board stating the deadline for objections.
- 108.3 It is necessary to provide suitable pigeonholes for all participating associations, the IAU bodies who are present and the press. They shall be located in the vicinity of the press room.
- The ranking lists with all of the scores have to distribute the same day.
- 108.4 For the spelling of the nationalities in the ranking lists, the country abbreviations used by the IOC shall be used.



## 109 Records

### 109.1 World record can be established at:

- World Championships (WCH)
- Continental Championships (CCH)
- World Cup Events (WC)
- World Cup Final (WCF)

### 109.2 Continental record can be established at:

- World Championships (WCH)
- Continental Championships (CCH)
- World Cup Events (WC)
- Continental Cups (CC)
- World Cup Final Cup (WCF)
- Continent Cup Final (CCF)

109.3 The record winning competitor must have the priority to go to the doping check.

109.4 In order for records to be officially recognized, all of the following requirements must be fulfilled:

- The IAU-TC has accepted the shooting range.
- Crossbow, equipment and clothing of the athletes have been subject to an official control.
- The Jury has examined the targets of the competition.

109.5 The organizer is obliged to submit a ranking list to the IAU-TC immediately after the competition.

All records must be recognized by the IAU-TC .

Only as of this point in time, the IAU-TC will issue record certificates.

The IAU-TC records these records in a list.

109.6 Should an athlete have been convicted of doping, his records and the records of teams in which he was set are to be annulled a year retroactively from the date of positive doping control.



## **110 Anti-Doping**

### **110.1 Definition Doping**

Doping is defined the occurrence of one or more violations of the anti-doping rules.

### **110.2 Responsibility, Knowledge**

Athletes and managers are responsible for that they have knowledge, what constitutes a violation of the anti-doping rules, and what methods and substances on the prohibited list.

### **110.3 Prohibited list**

Medicinal products which are available on the current WADA prohibited list belong to the banned doping substances. Revisions of the prohibited list 3 months after publication by WADA automatically into force. The classification of a substance as a "prohibited" shall be binding and may be challenged by anyone.

### **110.4 Declaration**

Each athlete has to sign a declaration in which he confirm his knowledge of the rules and the penalties for violation of the anti-doping rules.

The declaration is part of the application for an IAU ID number (Rule 104.5).

*Form in the appendix: chapter 503*

### **110.5 Commitment**

Every athlete is obliged to ensure that no prohibited substance in his body arrives.

### **110.6 Lock**

if an athlete is locked a doping offence by the ISSF due to, so this lock applies also to the IAU in the category U23, Men and Women.



**110.7**      **A waiver** of an existing lock can be done only by the IAU-EC.

**110.8**      **Therapeutic Use Exemption**

Where the athlete already has a therapeutic use exemption granted by his or her national anti-doping organization for the substance or method in question, that therapeutic use exemption is not automatically valid for an international-level competition. However, the athlete may apply to the IAU-TC to recognize that therapeutic use exemption.

**110.9**      **Expiration automatically of a therapeutic use exemption**

- Expire automatically at the end of any term which it was granted
- May be cancelled if the athlete does not promptly comply with any requirements or conditions imposed.
- May be reversed on review by WADA or on appeal
- Cancelled by the IAU-EC

**110.10**      Doping controls are carried out in the categories U23, men and women. Athletes in the senior category who compete in a different category (men, women) are not exempt from doping controls.



**111 Coaching, Team Manager**

**111.1 Coaching**

111.1.1 In all-events, non-verbal coaching is allowed.

111.1.2 If an athlete wishes to talk to anyone, he must uncock his crossbow and lay it down at the shooting line.

The athlete may only leave the shooting line after having notified the Jury or the stand supervisor and without disturbing other athletes.

111.1.3 If an official wishes to talk to one of his athlete standing at the shooting line, he may not get in contact with him directly. The official must obtain approval by the Jury or the shooting stand supervisor who will call the athlete from the stand.

111.1.4 Athletes or officials are not allowed to use mobile phones, walkie-talkies or similar equipment while staying in the competition area.

Any such equipment must be turned off.

With the exception of equipment that is required for the execution of the competition.

111.1.5 If an official or athlete breaches these rules, he will be given a warning the first time. Should it happen again, one will deduct two (2) rings from the athlete score and the official will have to leave the immediate area behind the shooting line.

111.2 **Team Manager**

111.2.1 Each team must appoint a team manager who is responsible for maintaining discipline within the team. The team manager must cooperate with the shooting stand supervisor at any time in the interest of safety, the smooth course of competition and fair play and he is responsible for any official matters of the team.

The team manager may also be a competitor.

111.2.2 The team manager has the following duties:

- Register the participants.
- Left handed athlete must be reported, so that for space reason the athlete can be assigned a place to start on edge slices.
- Check the scores,
- Receive official Information,
- Represent his team towards the organizer and the IAU bodies.



## 112 Violation of the rules

112.1 If an athlete breaches the rules or instructions given by the stand supervisor or the Jury, the Jury may take the following disciplinary action against him:

### 112.2 Yellow Card

Warning shall be given to the athlete in such way that it leaves no doubt that it is an official warning. The Yellow Card with the word "**WARNING**" printed thereon must be shown.

It is not necessary that other penalties are preceded by a warning. The warning must be noted on the stand score sheet respectively on the score sheet.

### 112.3 Green Card

the Jury expresses ring deductions from the score by showing the Green Card with the word "**DEDUCTION**" printed thereon. The Jury has to note this on the stand score sheet respectively on the score sheet.

### 112.4 Red Card

The Jury expresses disqualification by showing the Red Card with the word "**DISQUALIFICATION**" printed thereon.

112.4.1 In case of a disqualification in the final, the athlete takes the last place among the finalists and all shots are counted as zero.

112.5 The size of the Cards should be 70 mm x 100 mm.

112.6 **Violations of rules** are settled by the Jury.

112.6.1 In case of an obvious violation of rules (crossbow, clothing, aiming position, coaching etc.) a first warning has to be given so that the athlete has the opportunity of correction the mistake. If at all possible, warning should be given during practice or during sighting shots. If the athlete fails to correct the mistake within the time limit given by the Jury, two (2) rings will be deducted from his score. If the athlete also fails to correct the mistake then, it is necessary to pronounce disqualification.

- 112.6.2 In case of a hidden violation of rules, when the mistake was intentionally hidden, it is necessary to pronounce disqualification.
- 112.7** If one athlete disturbs another athlete in an unsporting manner whilst he is shooting, it is necessary to deduct two (2) points. Should it happen again, it is necessary to pronounce disqualification.
- 112.8** If an athlete is asked to explain an incident like that and he knowingly and deliberately gives a false information, it is necessary to deduct two (2) points. In serious instances, disqualification is possible.
- 112.9** If an athlete handles a crossbow in a dangerous manner or violation a safety rule, the Jury may disqualify him.
- 112.10** Should an athlete manipulate his marked or unmarked targets, he will be issued a warning (yellow card). In case of reoccurrence a disqualification takes place (red card).
- 112.11** If the stand supervisor or the Jury are convinced that an athlete unnecessarily delays the competition in order to achieve an advantage for himself in an unsporting manner, the athlete shall be given a warning.
- For any similar behavior that follows, it is necessary to deduct two (2) points from the athlete's result.
- 112.12** The Jury has to clearly note and record any violations of rules, penalties, misses, defects, time suspensions, time credits, repeat shots, cancellation of shots, etc. on the stand score sheet respectively on the score sheet.
- 112.13** Any deductions from the score must be effected in the order in which the violation of rules occurred.
- 112.14** As far as general deductions are concerned, these must be taken from the lowest competition score of the first series.

## **113            Objection, appeal**

- 113.1            Each team manager or delegation manager is entitled to immediately raise an objection to violation of rules with the Jury.
- Objections have to be carefully examined and breaches have to be corrected in accordance with these rules.

### **113.2            Objection**

- 113.2.1          Objection is only possible as follows: in written form, immediately after the establishment of a violation, including the naming of an eye witness and a deposit of a 50 € fee.

*A form is attached in appendix: Chapter 505*

- 113.2.2          Contesting to the evaluation of scores shall be treated like objections. They have to be raised not later than twenty (20) minutes after the announcement of all results of a competition.
- 113.2.3          The Jury's decision on the value or the number of shots at a target are final; therefore, it is not possible to raise an appeal against them.
- 113.2.4          Objections to the use of crossbows and equipment may be raised even after the control.
- 113.2.5          If possible, the Jury deals with objections right there and then. The person raising the objection shall be informed of time of the decision.
- 113.2.6          The Jury announces how it has decided on an issue by a notice on the notice board.

**113.3 Appeal**

113.3.1 An appeal against a decision of the Jury must be raised in writing with the Jury of appeal within thirty (30) minutes after the announcement of the decision at the latest.

*A form is attached in appendix: Chapter 505*

113.3.2 The Jury of appeal takes a final decision on the appeal after having heard the Jury or its representative.

113.3.3 For the appeal, the objection fee must be paid once again.

**113.4** The decision of the Jury and the Jury of appeal is final.

**113.5** In case of rejection of the objection or the appeal, the objection fee expires in favor of the IAU.



---

## **200 MATCH 30 M & MATCH 10 M**

### **201 General**

201.1 The general rules (101-199) must be adhered to, unless supplemented or amended here.

## 202 Shooting programme

202.1 At WCs, CCs, WCEs and CCEs as well as country competitions, the shooting programme shall be as follows:

### 202.2 Match 30 M

30 shots "standing" - time 90 minutes

30 shots "kneeling" - time 90 minutes

202.2.1 The combined score is established from the total of the two positional results.

202.2.2 Order: "standing" - "kneeling"

202.2.3 There must be a 30-minutes break between the positions.

### 202.3 Match 10 M

40 shots "standing" - time 90 minutes

### 202.4 MIXED TEAM 10M

30 shots "Standing" - Time 60 minutes

Team = one (1) Women + one (1) Men

202.5 **Double-starts** within one distance are not permitted.

202.5.1 In Mixed Team Competition, the Athlete may only start in one Class regardless of 202.5.

202.6 **Category** – U23 athletes (m/w) or Senior may start in the direct highest category. Their results are only evaluated and awarded in the chosen category (individual and team competition).

202.7 For finals, please see finals rules (chapter 218)



**203 Targets**

**203.1 Target 30 M**

**Paper quality:** cardboard 250 – 300 g/m<sup>2</sup>, glazed on one side

**Target face:** black circle on a white square background of 200 x 200 mm side length.

**Circle size:** 90 mm diameter

**Scoring area:** 114 mm in diameter, divided into 10 Rings

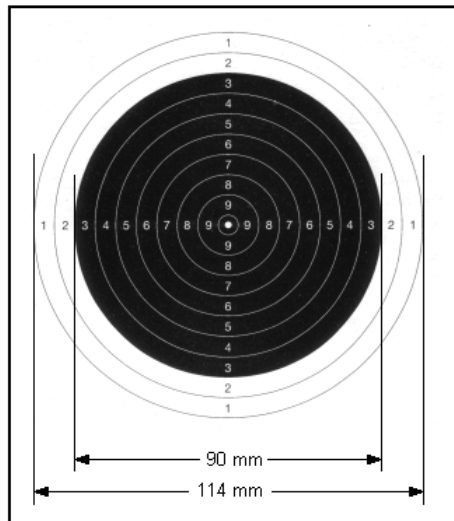
**Ring spacing:** 6 mm, diameter of the 10 = 6 mm

**Ring thickness:** 0,15 mm

**Inner-ten:** diameter of the center (mouche) = 2 mm

**Armbrust 30 M**

Ringwert	Ø mm
Innen-10	2,0 mm
10	6,0 mm
9	18,0 mm
8	30,0 mm
7	42,0 mm
6	54,0 mm
5	66,0 mm
4	78,0 mm
3	90,0 mm
2	102,0 mm
1	114,0 mm



**203.2 Target 10 M**

**Paper quality:** cardboard 250 – 300 g/m<sup>2</sup>, glazed on one side

**Target face:** black circle on a white square background of 100 x 100 mm side length.

**Circle size:** 30,5 mm diameter

**Scoring area:** 45,5 mm in diameter, divided into 10 rings

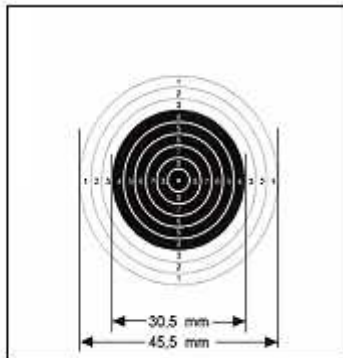
**Ring spacing:** 2,5 mm, diameter of the 10 = 0,5 mm

**Ring thickness:** 0,15 mm

**Inner-ten:** (mouche) the shot hole must not touch circle 9 from the inside.

**Armbrust 10 M**

Ring	Ø mm
10	0,5mm
9	5,5mm
8	10,5mm
7	15,5mm
6	20,5mm
5	25,5mm
4	30,5mm
3	35,5mm
2	40,5mm
1	45,5mm



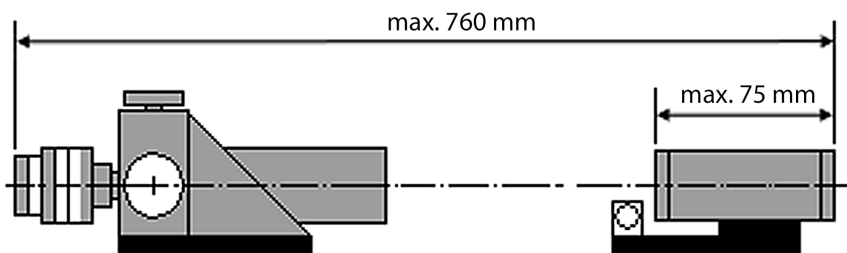
## 204 Crossbow & Accessories

### 204.1 Crossbow 30 M & 10 M

Any crossbow may be used which conforms to the following restrictions:

204.1.1 **Length of the aiming system** from the front of the "Front Sight Unit" to the rear of the "Back Sight Unit" max. 760 mm

204.1.2 **Length of the "Front Sight Unit"** max. 75 mm



204.1.3 **Length of the bow string** (unspanned) max. 630 mm

### 204.2 Accessories

204.2.1 **Telescopic sights are not permitted**

204.2.2 **Laser devices are not allowed**

204.2.3 **No light enhancing system are permitted.**

204.2.4 Any type of aiming equipment that are able to trigger his shot are not permitted

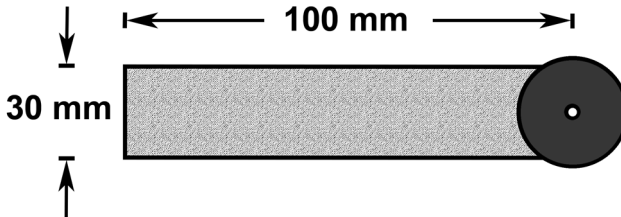
204.2.5 One (1) single corrective lens can be used. These must be attached at the crossbow, diopter or eye glasses. She must be positioned so that she can be controlled at any time but he Jury.

Other lense may be not use in the line of sight

204.2.6 Athletes are not allowed to use hearing protections with built-in receiver or playback unit.

204.2.7 For the non-aiming eye, a blinder may be attached to the crossbow or to the rear sight.

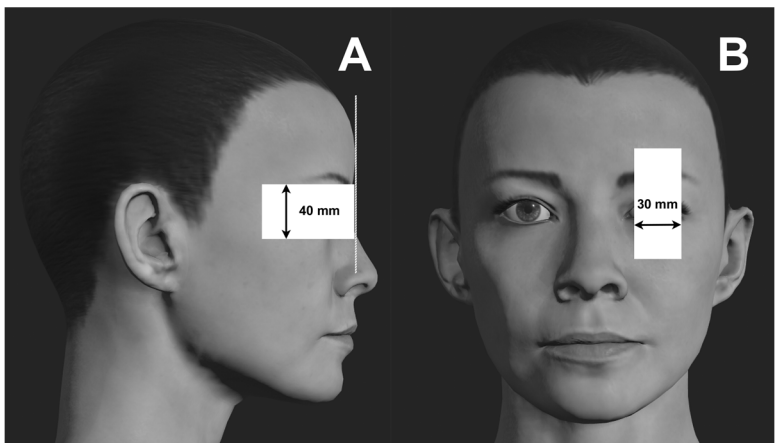
The blinder must not be more than 30 mm deep (A) not extend further than 100 mm (B) from the center of the rear sight aperture on the side of the non-aiming eye.



204.2.8 Blinders attached to the hat, cap, shooting glasses or to a head band are permitted.

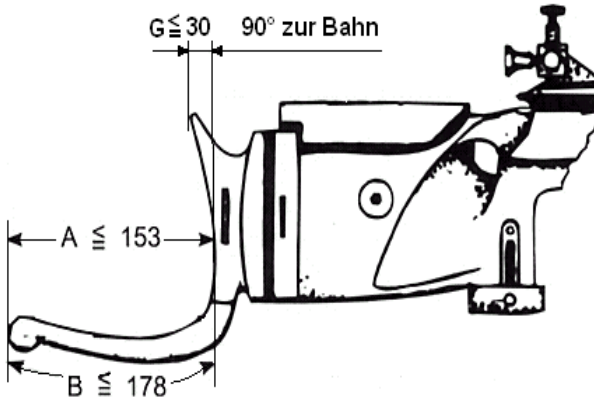
A) The front edge of a side blinder must not exceed further forward than the center point of the forehead and not exceed 40 mm deep.

B) Front blinder to cover the non-aiming eye that is not more than 30 mm wide.

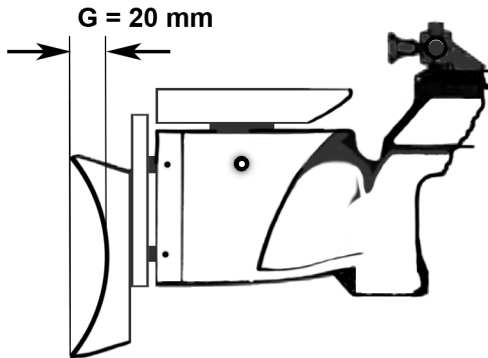


**204.3 Match 30 M**

## ButTHOOK Diagramm



- 204.3.1 [A] – The distance between the outer end of the but hook on the butt plate touching the shoulder and the lowest point of the curvature of the butt plate may not exceed 153 mm The measurement is taken from a vertical parallel to the track that touches the lowest point of the butt plate.
- 204.3.2 [B] – the outer length of the hook including arch and curvatures may not exceed 178 mm.
- 204.3.3 [G] – the curvature of the butt plate must not exceed 30 mm at its deepest point. It is parallel to the track by a vertical which touches the highest point of the butt plate measured.
- 204.3.4 Pull-out butt plate is permitted.

**204.4 Match 10 M**

204.4.1 [G] – The curvature of the butt plate must not exceed 20 mm at its deepest point.

The butt plate, from neutral position, may be shifted upwards or downwards, parallel to the left or to the right or rotated around its horizontal or vertical axis.

204.4.2 **Butt hook** are not permitted.

204.4.3 Maximum weight of crossbow 6.75 kg including all accessories.

**205 Bolt**

**205.1 Dimensions:** bolt 30 M and 10 M, all dimensions in mm

**Material:** bolt head and shaft: free, stiff

**Head of bolt:** Diameter  $\geq 11,0$  mm

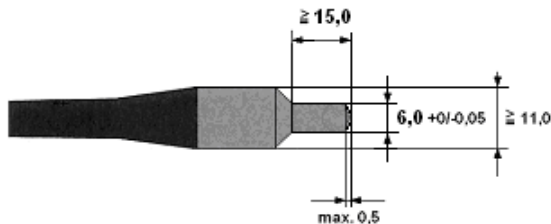
**Cylinder front:** Cylinder front curved max. 0.5 mm. Stepped tip max. 3 mm in diameter: smooth edges.

**Specialties:** The cylinder may have a thread, as long as the shot hole can be perfectly measured.

**205.2 Match 30 M**

**Zylinder Diameter:** 6.0 mm  $+0/-0,05$  mm

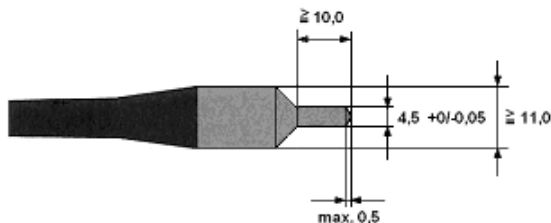
**Zylinder length:**  $\geq 15,0$  mm



**205.3 Match 10 M**

**Zylinder Diameter:** 4.5 mm  $+0/-0,05$  mm

**Zylinder length:**  $\geq 10,0$  mm





## 206 Shooting position

### 206.1 General

- 206.1.1 In each position, the **pistol butt** or the hand holding it may not touch the arm propping the crossbow.
- 206.1.2 The **distance mark** must not be touched by the foot. Exceptions may only be allowed by the Jury.
- 206.1.3 The **mat** must be made of a solid material and may only have a maximum thickness of 12 mm. The mat may not be folded.

### 206.2 Position "standing"

The athlete must stand freely and without any other support with both feet on the surface of the shooting lane or on a mat.

- 206.2.1 One (1) **Hand rest** (Stock height equalizer) is permitted.
- 206.2.2 One (1) **sling** is not permitted.

### 206.3 Position "kneeling"

The athlete may touch the surface of the shooting lane or the mat with one foot, one knee and one tip of the toes.

- 206.3.1 One (1) **Sling** of a maximum width of 40 mm is permitted.
- 206.3.2 The tip of the elbow may not jut out more than 100 mm over the knee and may not be positioned more than 150 mm behind the knee.
- 206.3.3 Clamping the **shooting jacket** between heel and buttock is not permitted.
- 206.3.4 The use of 2 **cushions** or 1 cushion and 1 **roll** is permitted.
- 206.3.5 **Maximum size of the cushions:** 25 cm x 35 cm x 15 cm
- 206.3.6 **Maximum size of the roll:** Diameter 18 cm, Länge 25 cm



## 207 Shooting range

### 207.1 General

WCH, CCH, WC, CC, WCF, CCF and ICC may only be held at a shooting range accepted by the IAU the acceptance is given by the IAU-TC. The acceptance certificate is attached in the appendix.

### 207.2 Athlete stand

207.2.1 The athlete's stand must be solid and free from vibrations.

207.2.2 The **distance marks** must be clear and obvious.

207.2.3 Between athletes and spectators or officials respectively, there must be a **barrier**.

207.2.4 Where possible, there shall be a **corridor** of approx. 200 cm for the press behind the athletes.

207.2.5 There must be a solid base allowing a safe spanning of the crossbow.

207.2.6 Without permission of the Jury, the athlete is not permitted to make changes to the **base of the stand**.

### 207.3 Center of the target

207.3.1 The center of the target as against the athlete's stand shall have a height of 140 cm +/- 20 cm.

207.3.2 The individual stands must be provided with a clearly visible to the athlete **stand number**.

### 207.4 Transport system

207.4.1 The electric, automatic, transport system must be able to be operated by the athletes.

207.4.2 The target butt must made of a suitable material (wood with a lead plate in the middle).

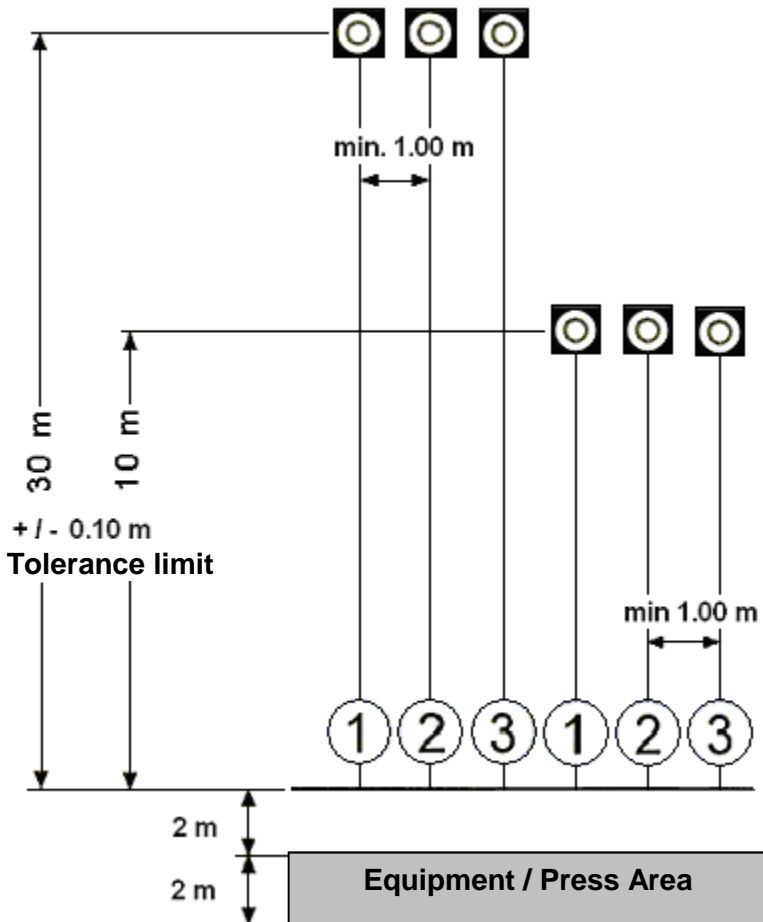
**30 M: lead plate of min. thickness of 3 cm and 9 cm in diameter**

**10 M: lead plate of min. thickness of. 2 cm and 5 cm in**

diameter

Targets and the butt must be quickly exchangeable.

### 207.5 Layout with Dimension



## 208 Competition

### 208.1 General

Conduct of the competitions at WCH, CCH, WC, CC, WCF and CCF is supervised by the IAU-TC. During the Preparation Time and Sighting Time for all competitions, announcements and/or visuals displays may be used to inform spectators about the event. During Preparation and Sighting and Match firing Times for Elimination and Qualification competitions, music may be played.

208.1.1 The **beginning of the competition** has to be announced on the evening before at the latest.

208.1.2 The programme of the competition shall be completed in the **stipulated time** plus time credits granted.

208.1.3 The **beginning and end** of the competition is announced by the director of shooting. Ten (10) minutes as well as five (5) minutes before the shooting time expires, the time remaining must be announced.

208.1.4 Each **suspension or time credit** granted by the Jury must be recorded on the stand score sheet.

208.1.5 If a bolt, not by the transport system can be brought back, the shooting must continue with a replacement bolt. There is an unlimited sighting shots period, however no time supplement. Only the Jury can approve exceptions.

Should the competitor more have no spar bolts, the remaining shots with zero (0) will be settled.

208.1.6 In the match 30 M competitions, the competitor may set up to one (1) wind indicator **flag or speed meters** for wind control purposes.

- No other participant must be hindered, disturbed or bothered by them.
- The wind indicator flag or the air speed meters respectively must be set before the practice shooting begins.
- The remedy of a disturbance to the wind device is forbidden after the start of the competition.
- Should it cause further problems, he shall the device removed immediately.



- Wind indicator flag and air speed meters may only be removed after the competition has ended.

## 208.2 Team competition

Team competition is carried out in a maximum of three (3) rotations.

Only the Jury can allow an exception.

- 208.2.1 The shooting range is to be **divided into sectors** which must contain as many targets as there are teams participating in the competition.
- 208.2.2 **Each team** must be represented with the **same number of** competitors in each sector.
- 208.2.3 The Jury determines **the targets** of the first sector by drawing lots and allocates them analogously for the other sectors.
- 208.2.4 **The drawing** has to take place on the evening before the competition at the latest and only applies to the nations.
- 208.2.5 The Jury has the right, in consultation with the organizer, to keep one (1) **target each free** on the left and on the right.
- 208.2.6 The association is responsible for the **allocation of the athletes by name**.
- 208.2.7 **Individual athletes compete in the team competition** and qualify for the individual competitions. The drawing of stands for the teams has priority.

## 208.3 Individual competition

The best athletes in the team competition 30 M (open class) per replacement contest – in the ratio of shooters per detachment to the total shooters, depending on the number of targets- on the following day the individual competition.

### Example:

{ ( / ) divide, ( \* ) multiplied by, ( - ) subtract }

### Step 1:

100 / total athletes \* available stands = per cent per rotation

**Step 2:**

100 / Available stands = Per cent per athlete

**Step 3:**

Per cent per rotation / Per cent per athlete = athletes per rotation

- 208.3.1 **When a shooting stand fails**, is taken out the individual athlete from the ranking of the team competition, respectively the last, last etc.
- 208.3.2 **The stand allocation** per name of the athletes takes place the evening before by the Jury or can be pulled through the qualified athletes per lot.
- 208.3.3 To be able to implement an **effective competition which can be relayed by media**, the IAU-TC and the Jury are authorized to alter target allocation in consultation with the organizer.

**208.4 Targets**

Only the judges may be in possession of a list of names with the respective face numbers.

- 208.4.1 Any and all of the targets faces are to be numbered consecutively and shall be handed out to the athlete in their entirety. Practice faces shall be marked das such.
- 208.4.2 The athlete is responsible for controlling his faces as to number, correct order and indication of the position. Claims during or after the competition are null and void.
- 208.4.3 The **faces are exchanged** by the athlete. The athlete is responsible for the proper shooting at the faces.
- 208.4.4 The **target butt with lead plate** must be replaced, if the holes are no longer flawless, or when changing to the next position at the latest. The athlete or helpers assigned by the organizer may carry out the exchanges.



**209 Director of shooting, scorers**

**209.1 Direction of shooting**

at any IAU events, there shall be a direction of shooting.

**209.2 Scorer**

At any IAU events, where possible, there shall be scorers who immediately put down the scores on a scoreboard as determined by the eye.

209.2.1 The scorer shall duly keep **the targets used** in the shooting and hand them over to nobody but the person authorized by the evaluation committee.

209.2.2 The scorers must **be provided by the organizer**.



**210 Sighting shots**

210.1 In each position, before the first (1) scoring shot, the competitors may shoot as many sighting shots at the sighting targets as they like.

In the event that sighting shots are shot without the permission of the Jury after the first (1) scoring target has been set up, the competitor must be disqualified.

In **case of defects**, the Jury may allow additional sighting shots.



## 211 Scoring shots

### 211.1 General

211.1.1 The standing and the kneeling competition are counted as one (1) competition (target faces 1- 60).

211.1.2 The scoring shots shall be shot at the consecutively numbered targets in **ascending order**, and only one (1) shot per target is permitted.

211.1.3 Each shot shot during the competition whether with or without bolt is valid. **A shot is considered shot**, if the tension of the bow has been released through the triggering device.

211.1.4 Shots shot with someone else's bolt or with a defective crossbow respectively with a defective bolt are also valid until the **acknowledgement of the defect**.

They are evaluated according to the score value.

211.1.5 If, in case of oval, oversized or **deformed shot hole**, the edge of the hole does not allow an evaluation of the shot that is free of doubt, the measuring is effected from the center of the hole.

211.1.6 If, in case of a **rebound shot**, the score cannot be clearly determined by the imprint, the shot scores zero.

### 211.2 Shooting at another athlete target (cross fire)

211.2.1 The athlete is obliged to **inform the stand supervisor immediately**, when he notices one or more shots on his target that where not shot by him.

211.2.2 Shooting at another athlete target (cross shot) shall be **scored as a miss**.

211.2.3 If an athlete shoots a **sighting shot** at the practice face of another athlete, no disadvantage shall arise there form.

211.2.4 If an athlete shoots a **sighting shot at the scoring target of another athlete**, two (2) points shall be deducted from his result.

- The deduction is made from the lowest scoring shot in the series during which the offence occurred.





- If the missing athlete has not yet started with his scoring shots, the deduction is effected in the first series of the competition.

211.2.5 If the origin of **the surplus shots** cannot be determined free of doubt, the best shot respectively the best shots on the target that was shot at several times shall be cancelled.

211.2.6 If the athlete is given acknowledgement of a cross shot, the stand supervisor acknowledges that there has been a shot from another athlete and his own shot cannot be determined, he shall be credited the highest score value.

211.2.7 If the supervisor confirms that the athlete has not shot a certain shot, this shot shall be annulled on the target respectively entered as annulled on the score sheet.

### 211.3 Shots after the shooting time

211.3.1 Each shot **before** the official beginning of the competition time is scored with a deduction of two (2) rings in the first scoring face.

211.3.2 Each shot **after the official competition time** (plus time credits) is scored with zero.

### 211.4 Too much scoring shots

211.4.1 If an athlete makes more shots in one competition or one position than **scheduled in the programme**, the surplus shots on the last target (s) must be cancelled.

211.4.2 If the shots cannot be identified, it is necessary to deduct the highest score value.

211.4.3 The athlete is furthermore punished for **every surplus shot** with a deduction of two (2) points from the lowest score value in the first series.

**211.5 Several shots on a target**

211.5.1 If an athlete shoots more shots at one of his target than **scheduled in the programme:**

- He will not be punished for **the first two (2)** instances of this kind.
- **For the third** and any subsequent wrongly placed shot, he will be punished with a deduction of two (2) points per shot in the series in which the instance occurred.
- In addition, he will only be allowed to shoot an accordingly reduced number of shots at one of **the subsequent targets**. This should be the next target.

211.5.2 When **evaluating** such instances, the **value of the surplus shots** must be transferred to the target which show fewer shots than scheduled in the programme, so that each target shows the number of shots that the programme and the regulations provide for.

211.5.3 If the **shots to be transferred** cannot be identified in the recordings of the scorers, the shots with the lowest value shall be transferred to the following target (s) or the shots with the highest values shall be transferred back to the preceding target (s), so that the athlete does not have an advantage in case of points equality when comparing series.

**212 Evaluation of shots**

212.1 During a competition, the evaluation is exclusively carried out by the evaluation committee.

The evaluation can be checked anytime by the IAU-TC and revised

212.2 All shot holes are evaluated with the highest score in the scoring area or of the target ring hit by this shot.

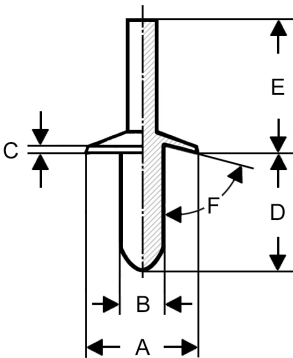
If the bolt touches the dividing line between the scoring areas, the shot must be evaluated with the higher score.

212.3.1 In case of doubt, a score gauge approved by the IAU-TC shall be used.

This shot must be marked on the target as "pricked".

212.3.2 At follow-up examinations, the score gauge may not be inserted in the shot hole.

212.4 The score gauge must have the following dimensions:



	10 M	30 M	Tolerance
A	15,30 mm	17,90 mm	- 0,05 mm
B	4,50 mm	6,00 mm	+ 0,05 mm
C	0,50 mm	0,50 mm	± 0,20 mm
D	10,00 mm	10,00 mm	+ 5,00 mm
E	30,00 mm	30,00 mm	± 5,00 mm
F	80°	80°	± 3°

## 213 Material defects

213.1.1 If a defect occurs in **the crossbow or the bolt**, the athlete must stop shooting immediately and inform the judges who decide on the legitimacy.

213.1.2 Only **obvious defects** are accepted.

213.1.3 In the event of an accepted defect in the crossbow, the Jury orders a suspension, the total duration of which (irrespective of several defects) may not exceed twenty (20) minutes.

The Jury must record the duration of the suspension (s) on the stand score sheet.

213.2.1 If an athlete is forced to interrupt the shooting without being at fault (except bolt defects) for **more than three (3) minutes**, he may claim a time credit for the time lost.

213.2.2 If an athlete is forced to interrupt the shooting without being at fault (except bolt defects) for **more than five (5) minutes**, he may claim a time credit for the time lost and an unlimited number of sighting shots.

213.2.3 In the event of a crossbow defect, the athlete concerned, before shooting the next scoring shot, is entitled to an unlimited number of **sighting shots** and to a time credit to be determined by the Jury.

213.2.4 In the event of a **bolt defect**, the athlete concerned, before shooting the next scoring shot, is entitled to an unlimited number of sighting shots.

The defective **bolts are confiscated** by the Jury and only given back after the competition has ended.



## 214 Crossbow and equipment controls

- 214.1 Before the competition, each athlete must present his crossbow including accessories as well as clothing worn on the body and other equipment to the persons assigned to perform crossbow and clothing controls. These persons control the compliance with the provisions of these rules.
- 214.2 The inspected and accepted crossbow, equipment and clothing have to be marked. The control is documented in a form that is attached in the appendix.
- 214.3 **The acceptance** of the crossbow and equipment is only valid for the competition for which the control was carried out.
- 214.4 The inspected crossbow, accessories and equipment **can be re-examined** during or after a competition.
- 214.5 The **weight limit** for the crossbow includes accessories like hand stop, hand rest, sighting devices etc.
- 214.6 Before the beginning of a competition, the Jury has to check **the testing instruments**.
- 214.7 The relevant **ISSF clothing rule** applies.

## 215 Competitions, Titles, Awards

### 215.1.1 Overview: Match 30 M and Match 10 M

For all IAU Match Competitions										
Classes	Competition					Titles and Awards				
	Maximum per Nation		Minimum per Class			Individual			Team	
	Individual	Team	Individual	Team	Nations	Standing	Kneeling	Combination	Standing	Combination
<b>10 M</b>										
Men	6	2	8	3	2	1 - 3			1 - 3	
Women	6	2	8	3	2	1 - 3			1 - 3	
U23 men	6	2	8	3	2	1 - 3			1 - 3	
U23 women	6	2	8	3	2	1 - 3			1 - 3	
Seniors	6	2	8	3	2	1 - 3			1 - 3	
Mixed Team		2		3	2				1 - 3	
Mixed Team U23		2		3	2				1-3	
<b>30 M</b>										
Open Class		2		3	2					1 - 3
Men	6		8		3	1 - 3	1 - 3	1 - 3		
Women	6		8		3	1 - 3	1 - 3	1 - 3		
U23	6	2	8	3	2	1 - 3	1 - 3	1 - 3		1 - 3
Seniors	6	2	8	3	2	1 - 3	1 - 3	1 - 3		1 - 3



- 215.2 Every association can register two (2) teams per competition class.  
Exception: several teams can be registered for world cup (WC), continental cup (CCE), and country competitions (RC).
- 215.3 One team (1) consists of three (3) individuals from the same association.
- 215.4 If an association is unable to supply a team, the athletes may start as individuals.
- 215.5 Titles and awards shall only be awarded, if the minimum number of starters in the respective divisions is achieved.
- 215.6 Athletes who have not turned 23 within the running year are admitted into U-23
- 215.7 Athletes who have not turned 45 within the running year are admitted into the Seniors category.
- 215.8 A team, of which a member has been disqualified, must not be ranked and must be shown in the result list with the remark "DSQ".

**216 Score-equality, ties****216.1 Individual scoring**

In case of point-equality, the ranking must be established as follows:

- Through the highest result in the last series of tens and 10-shot series going backwards until there is a difference.
- Through the highest number of 10s, 9s, 8s etc.,
- Through the highest number of inner tens ("Mouchen").
- If a class can still not be established, then the athlete must be given the same rank.

**216.2 Teams**

Score-equality is settled in the following way, the results of all team members are added together and then evaluated according to Rule 216.1.



**217 Safety regulations**

217.1 National safety regulations must be followed.

217.2 The crossbow may only be spanned after the bolt has been removed from the target. Action to the contrary will be punished according 112.6.2.

217.3 **Supporting** stands for resting the crossbow for the time between triggering and the new aiming process are not allowed for safety reasons.

217.4 **Spanning devices** (special columns or chairs) are admitted. These must not hinder the neighboring athletes. The laying on of the crossbow on a spanning device is prohibited.

217.5 The insertion of the bolt in the crossbow must be in direction of the target. Insertion of the bolt may be not in or on the spanning device (217.4).

*See appendix chapter 502*

**218 FINAL**

**218.1 General**

**218.1.1 Rules**

All protests must be handling and made the final decision by the Jury. The Jury consist of tree (3) persons, who have no other duties during the final.

**218.1.2 Qualification**

Before the final, the full programme must be shot as a qualification round according to the special rules.

**218.1.3 Position**

The final will be shot in the "Standing" position.

**218.1.4 Finalists**

The top 8 scoring athletes of the qualification round participate in the single final, and by Mixed Team final the best five (5) teams. If

more than eight athletes have reached the maximum result and this score equality cannot be decided, this score equality must be broken before the final as follows:

- a) All affected athletes will be assigned a shooting firing point
- b) Sighting time 3 minutes, unlimited shots.
- c) Shooting time for each soot-off 50 seconds on command until the tie is broken.
- d) The athlete or Team who have the highest result is reaching the highest ranking.
- e) In Mixed Team only one athlete dispute the soot-off

#### 218.1.5 **Time schedule before the final start, 10 & 30 meters**

Reporting time = starting preparation time

Preparation time = 10,0 Min.

Sighting shots time = 10,0 Min.

Break = 0,5 Min.

#### 218.1.6 **Starting time**

In each final begins with starting command "LOAD" for the first competition shot. The starting time must be evident from the official programme. Each postponement must be announced and posted at the final range.

#### 218.1.7 **Firing point allocation**

The athletes qualified for the final get the following firing point according to their ranking in the qualification:

Firing point: 1, 2, 3, 4, 5, 6, 7, 8 (Mixed Team 9, 10)

Ranking in the qualifying: 1, 2, 3, 4, 5, 6, 7, 8 (Mixed Team 9, 10)

#### 218.1.8 **Publication**

On a scoreboard suitable for athletes and spectators, the rankings from the qualification, the current scores, the results of the first 10 shots of the final, the overall results and the individual placement must be displayed. In the official ranking list, the qualification result must be shown as such.

#### 218.2 **Targets**

##### 218.2.1 **Sighting targets**

Each finalist shall get two (2) sighting targets. Several shots can be shot on a sighting target.

218.2.2

**Scoring target**

Each finalist shall get sixteen (16) numbered scoring targets. There shall be one (1) shot per scoring target.

218.3

**Scoring**

218.3.1

**Score value**

The score value in the final are evaluated as full points, if necessary using a score gauge approved by the IAU-TC.

218.3.2

**Results**

Each final begins with zero (0). The value of the individual shots are added, except for score equality.

218.4

**Empty**

218.5

**Conduct of the final**

218.5.1

All commands are given in English.

218.5.2

The final competition consist of 16 shots, which are all shot individual on command.

218.5.3

The shooting time for one (1) shot is 50 seconds.

218.5.4

It is not permitted to occupy the shooting range before the preparation time.

218.5.5

Sighting practices between the command "STOP" and the subsequent command "LOAD" are permitted with an unspanned crossbow.

218.6

**Preparation time**

The preparation time begins with the command...

218.6.1

**"10 MINUTES PREPARATION TIME START"**

After this command, the finalist or their coaches may place the crossbow and equipment on their positions.

During the preparation time, they can handle their crossbow, do holding or aiming exercises and shoot dry with unspanned crossbow but it is not allowed to insert the bolt into the crossbow.

- At the final match of 30 meters, each finalist may place one (1) wing gauge.
- 218.6.2     **"2 MINUTES"**  
All coaches and helpers must leave the shooting range immediately.
- 218.7       **Sighting time**  
The sighting time begins after the preparation time with the command...
- 218.7.1     **"10 MINUTES SIGHTING SHOTS START"**  
The finalist may shoot an unlimited number of sighting shots.
- (Penalties 218.12.2)
- 218.7.2     **"30 SECONDS"**  
Must be announced 30 seconds before the end of the sighting time.
- 218.7.3     **"STOP"**  
At the end of the sighting time, the command "STOP" is given followed by a 30 seconds break and all finalist ready to shoot at their positions.
- (Penalties 218.12.1 and 218.12.3)
- 218.8       **Break**  
30 seconds break. The finalist mount the first scoring target and move them in the final position.
- (Penalties 218.12.3)
- 218.9       **Final**
- 218.9.1     **"LOAD"**  
Upon this command, the athlete spans his crossbow, load the bolt and put the crossbow in aiming position.
- 218.9.2     **"START"**  
The shooting time begins with the command "START". The athlete has 50 seconds for his shot.
- (Penalties 218.12.4)
- 218.9.3     **"STOP"**

The command "STOP" is given once the last finalist has finished shooting or immediately on expiry of the shooting time at the latest. The last second must coincide with the command "STOP"

The athlete independently executes the following actions after the "STOP" command:

- Retract the target and remove the bolt
- Place the scoring target backwards
- Extend the next scoring target to the final position

#### 218.9.4 **Evaluation**

- a) The final evaluation of each shot is made directly at the firing point, under announcement of the shot value for each athlete.
- b) A protest against the evaluation of the shot must be made by the athlete immediately by raising one hand and the word "PROTEST"
- c) If no protest was made, the results are announced after the elimination procedure (218.10) and are final
- d) The above procedure 218.9) is repeated until a winner is determined

#### 218.10 **Elimination process**

##### 218.10.1 **8<sup>th</sup> place = after shot 10 (series)**

The athlete with the lowest overall scores eliminated and takes 8<sup>th</sup> place

**Score equality; it is eliminated who...**

Had the lowest rank to the final start.

##### 218.10.2 **7<sup>th</sup> place = after shot 11**

The athlete with the lowest overall score is eliminated and takes the 7<sup>th</sup> place

**Score equality: it is eliminated who...**

1. Had the lowest shot value at shot 11
2. Had the lowest score after the first 10 shots (series)
3. Had the lowest rank to the final start.

##### 218.10.3 **6<sup>th</sup> place = after shot 12**

The athlete with the lowest overall score is eliminated and takes the 6<sup>th</sup> place

**Score equality: it is eliminated who...**

1. Had the lowest shot value at shot 12
2. Had the lowest score after the first 10 shots (series)
3. Had the lowest rank to the final start.

218.10.4 **5<sup>th</sup> place = after shot 13**

The athlete with the lowest overall score is eliminated and takes the 5<sup>th</sup> place

**Score equality: it is eliminated who...**

1. Had the lowest shot value at shot 13
2. Had the lowest score after the first 10 shots (series)
3. Had the lowest rank to the final start.

218.10.5 **4<sup>th</sup> place = after shot 14**

The athlete with the lowest overall score is eliminated and takes the 4<sup>th</sup> place

**Score equality: it is eliminated who...**

1. Had the lowest shot value at shot 14
2. Had the lowest score after the first 10 shots (series)
3. Had the lowest rank to the final start.

218.10.6 **3<sup>th</sup> place = after shot 15 (Bronze medal)**

The athlete with the lowest overall score is eliminated and takes the 3<sup>th</sup> place

**Score equality: it is eliminated who...**

1. Had the lowest shot value at shot 15
2. Had the lowest score after the first 10 shots (series)
3. Had the lowest rank to the final start.

218.10.7 **2<sup>th</sup> place and 1<sup>th</sup> place = after shot 16 (Silver and Gold medal)**

The athlete with the lowest overall score takes the 2<sup>th</sup> place

The athlete with the highest total result is the winner

**Score equality:**

The final is continued without any further sighting shots according to art. 218.9

Upon immediate and final scoring of the shots, this procedure is continued until score equality is interrupted.

218.11 **Defects**

218.11.1 **Bolt defect** are not accepted.

If a bolt, not by the transport system can be brought back, the shooting must continue with a replacement bolt without sighting

shots. If a continuation of the competition is not possible, the remaining shots must be scored as zero (0)

- 218.11.2 **Crossbow defects** are not accepted  
A change of the crossbow is not permitted. If a continuation of the competition is not possible, the remaining shots must be zero (0)
- 218.11.3 **Battery defect** is not recognized.  
A change of a battery of whatever kind is not permitted. If a continuation of the competition is not possible, the remaining shots must be zero (0).
- 218.11.4 **Malfunction of the wind indicator** are not accepted.  
The device must be put down or removed. It will be shot without sighting shots.
- 218.11.5 **Failure of a single target**
1. All shots so far are valid.
  2. All finalist interrupt the competition and remain at their firing point.
  3. The athlete affected by the defect leaves his firing point and occupies the allocated substitute firing point.
  4. Once the athlete has reached the new firing point, it must be given 5 minutes for an unlimited number of sighting shots for all finalists.
  5. After a 30 seconds break, the athlete affected by the failure continues the competition with the command "LOAD", if there is need for it.
  6. Afterwards, all finalists continue the finals competition with the command "LOAD".
- 218.11.6 **Failure of all targets**
1. The shots as far as scored as an intermediate result.
  2. When the failure is repaired and the final competition can be continued within 1 hour, all remaining shots are made up for.
  3. Once the athletes are back on their firing point, they are given an unlimited number of sighting shots in the following time:  
10 meters = 5 minutes  
30 meters = 10 minutes
  4. After a 30 seconds break, the competition is continued with the command "LOAD".



If the failure cannot be repaired within one Hour, the registered intermediate results is evaluated as final result of the final competition.

## 218.12 **Penalties**

### 218.12.1 **Final participant absent**

Each finalist who at the end of the sighting time is not ready to shoot at the allocated firing point will automatically come last in the ranking and cannot participate in the final.

### 218.12.2 **Shot before the sighting time**

Each shot taken before the start of the sighting time is scored with a deduction of two (2) points on the first scoring value of the final.

### 218.12.3 **Shot after the sighting time**

Any shot made after the end of the sighting time until the begin of the final will be scored with a deduction of two (2) points on the first scoring value of the final.

### 218.12.4 **Shot outside the shooting time**

Every shot in the final before the command "START" or after the command "STOP" must be scored with zero (0).

## 219 **WORLD CUP (WC) and WORLDCUPFINAL (WCF)**

### 219.1 **General**

219.1.1 The period of a World Cup series starts on 1 January and ends on 31 December each year. The World Cup series consists of two (2) WC, WCH or CCH and WCF and is divided into 10 meters and 30 meters match crossbow

219.1.2 World Cup Events must be approved by the IAU EC.

219.1.3 The entry fee for one (1) WC is 70 EUR per athlete. EUR 20 of this must be paid to the IAU for each athlete. The entry fee of 70 EUR for the World Cup Final (WCF) goes to the organizer without deductions.



- 219.1.4 At the World Cup (WC) two doping tests are carried out on one (1) day of competition. One (1) for male athletes and one (1) for female athletes. Usually the winners or by draw or by setting the jury. The costs of the doping controls shall be borne by the organizer.
- 219.1.5 No doping controls are planned for the World Cup Finals (WCF). The IAU may order doping controls at any time. The IAU pays the cost of doping controls at a WCF.
- 219.2 **Shooting programs**  
Subsequent shooting programs must be carried out at a WC and WCF.
- 219.2.1 Match crossbow 10m = 40 shots according to IAU rule 202.3.
- 219.2.2 Match crossbow 30m = 2 X 30 shots according to IAU rule 202.2.
- 219.3 **World Cup Ranking**  
The rating starts with zero (0) every year.
- 219.3.1 Points are awarded to athletes in the men's and women's categories at every WC, WCH or CCH and in the WCF qualifying competition.

## 219.3.2

Place	World Cup	WCH oder ECH	WCF
1	80	80	80
2	70	70	70
3	60	60	60
4	50	50	50
5	45	45	45
6	40	40	40
7	35	35	35
8	30	30	30
9	25	25	25
10	22	22	22
11	20	20	20
12	18	18	18
13	16	16	16
14	14	14	14
15	12	12	12
16	10	10	10
17	9	9	
18	8	8	
19	7	7	
20	6	6	
21	5	5	
22	4	4	
23	3	3	
24	2	2	
25	1	1	

## 219.3.3 Score-equality

In case of point-equality the ranking must be established as follows:

219.3.3.1 Due to the highest number of points in the last, second last, third last competition of the World Cup series and so on.

219.3.3.2 By the highest result in the last, second last, third last competition of the World Cup series and so on.

219.3.3.3 If there is still a tie, the athletes concerned must be given the same rank.

- 219.4      **Nomination World Cup Final (WCF)**  
The nomination of the athletes is determined by the respective world ranking.
- 219.4.1    Each division is divided into 2 categories: men, women.
- 219.4.2    Maximum number of all athletes per category is sixteen (16).
- 219.4.3    Maximum number of athletes per nation and category is three (3).
- 219.4.4    If no 16 athletes are reached on the basis of the maximum number, the best athlete who has not yet been nominated for the final will be nominated. This process is repeated with constant change of nations until 16 athletes are nominated.
- 219.4.5    In the event of a tie in the world rankings, the IAU-TC decides
- 219.5      **World Cup Finale (WCF) – Match Division**
- 219.5.1    WCF Qualifying Competition:  
Match Crossbow 10m = 40 shots according to IAU Rule 202.3  
Match Crossbow 30m = 2 X 30 Shots according to IAU Rule 202.2.
- 219.5.2    The final must be carried out in accordance with IAU Rule 218.
- 219.6      **Awards**  
Awards are awarded in each category (men, women).
- 219.6.1    **IAU Crossbow Shooter of the Year**
- 219.6.1.1   This title will be awarded based on the current IAU world ranking after the Women's World Cup Final. The award ceremony will be given at the World Cup final.
- 219.6.2.   **IAU Crossbow shooter of the year**
- 219.6.2.1   This title is awarded based on the current IAU world ranking after the World Cup final men. The award ceremony will be given at the World Cup final.



219.6.3 **Women – World Cup Final Winner**

219.6.3.1 Is the winner of the World Cup final in the women's category.

219.6.4 **Men – World Cup Final Winner**

219.6.4.1 Is the winner of the World Cup final in the men's category.

**500****APPENDIX****501****General**

501.1 The duties records books, forms etc. attached in the appendix, shall be regarded as supplements respectively annotations to the general rules (101-199) and the special rules (201-499).

501.2 **The listed chapter 500 contents is stored in a separate file for printing on A4 paper size.**

**502****Pictures**

502.1 Loading bolt allowed 217.5

502.1.1 Standing position

502.1.2 Standing position

502.1.3 Standing position

502.1.4 Kneeling position

502.2 Loading bolt forbidden 217.5

502.2.1 Standing position

502.2.2 Kneeling position

**503****Doping forms**

503.1 Declaration on doping control – German 110.4

503.2 Declaration on doping control – English 110.4

**504****Forms Control**

504.1 Acceptance certificate 207.1

504.2 Crossbow/Equipment control 214.2.

**505****Forms Objections & Appeal**

505.1 Objection German 113.2.1

505.2 Objection english 113.2.1

505.3 Appeal German deutsch 113.3.1

505.4 Appeal english 113.3.1



**506**

**Welcome**

- 506.1 Welcome German / 10m
- 506.2 Welcome German / 30m
- 506.3 Welcome englisch / 10m
- 506.4 Welcome englisch / 30m
- 506.5 Welcome French / 10m
- 506.6 Welcome French / 30m

**507**

**Competitions**

- 507.1 Organigram / Scope of duties
- 507.2 Preliminary Time schedule